

PORSCHE

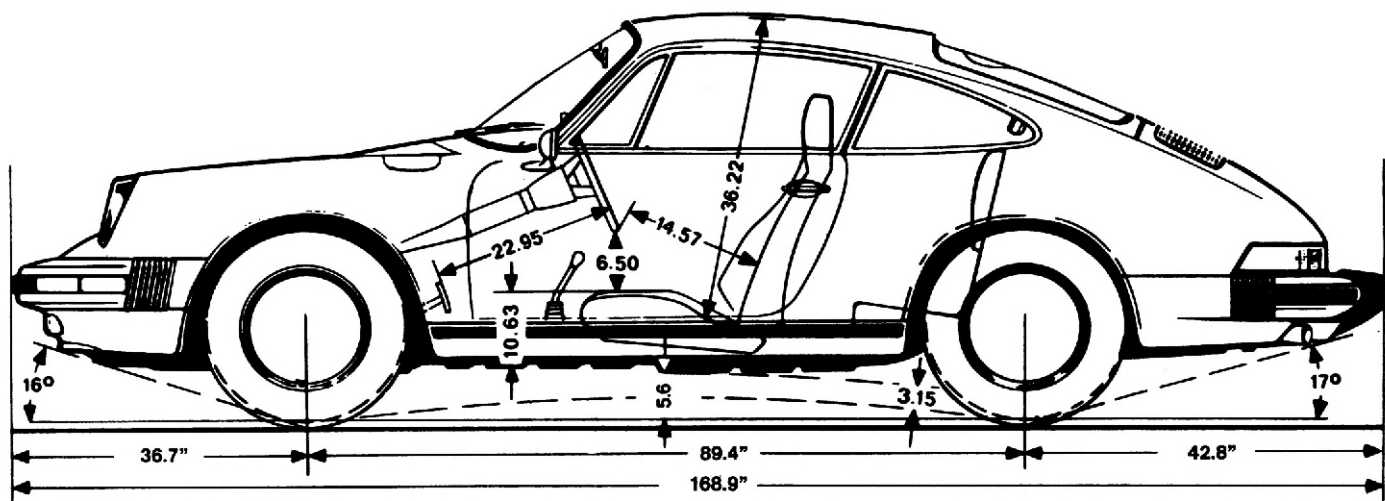
911SC

turbo

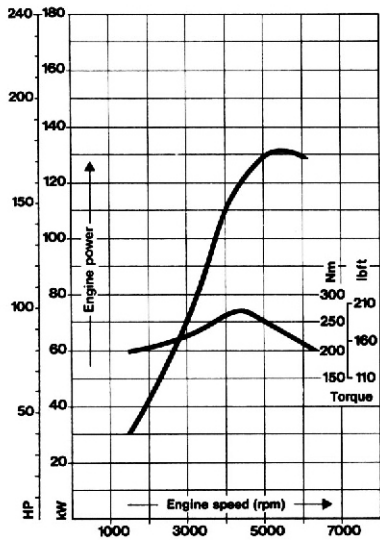
**Technical
Data
1979**

	911 SC	Turbo
Engine		
Number of cylinders	6	6
Bore	3.74 in. (95 mm)	3.82 in. (97 mm)
Stroke	2.77 in. (70.4 mm)	2.93 in. (74.4 mm)
Displacement, effective	183.0 cu. in. (2994 cc)	201.3 cu. in. (3299 cc)
Compression ratio	8.5:1	7.0:1
Engine output SAE net	172 hp (128 kW)	261 hp (195 kW)
At engine speed RPM	5500	5500
Max. torque — SAE net	189 ft. lbs. (257 Nm)	291 ft. lbs. (395 Nm)
At engine speed RPM	4200	4000
Fuel octane requirement	Unleaded fuel only	Low-lead or unleaded fuel
Engine Design		
Layout	Air-cooled, four-cycle, horizontally opposed	Air-cooled, four-cycle, horizontally opposed
Crankcase	Light alloy	Light alloy
Cylinders (individual)	Light alloy	Light alloy
Valve position in cylinder head	1 inlet, 1 exhaust; inverted V-pattern	1 inlet, 1 exhaust; inverted V-pattern
Valve operation	Single overhead camshaft for each cylinder bank	Single overhead camshaft for each cylinder bank
Camshaft drive	By double chain	By double chain
Crankshaft	Forged steel, 8 main bearings	Forged steel, 8 main bearings
Lubrication	Dry sump with separate oil tank, thermostatically controlled oil cooling, full flow oil filter	
Fuel supply	Electric fuel pump	2 electric fuel pumps
Mixture supply	Continuous Injection System (CIS)	Continuous Injection System (CIS), turbo-charged with induction aircooler
Electrical System		
Battery voltage V	12	12
Battery rating (Amp/h)	1 x 66	1 x 66
Generator	980 W alternator	980 W alternator
Ignition	Breakerless transistor ignition	Breakerless transistor ignition
Transmission		
Clutch, mechanically assisted	Single dry plate	Single dry plate
Manual gear box	Porsche Synchromesh	Porsche Synchromesh
Number of speeds	5 forward, 1 reverse	4 forward, 1 reverse
Final drive	Spiral bevel, pinion and differential	Spiral bevel, pinion and differential
Rear axle half shafts	Double constant velocity joints	Double constant velocity joints
Shift lever location	Floor-mounted shift control	Floor-mounted shift control
Final drive ratio	31/8 \triangleq 3.875 : 1	38/9 \triangleq 4.222 : 1

	911 SC	Turbo
Chassis, Suspension	Self-supporting body shell, independent front suspension with wishbones and shock absorber struts	Self-supporting body shell, independent front suspension with wishbones and shock absorber struts
Front springs	Torsion bars	Torsion bars
Rear suspension	Independent, semi-trailing arms	Independent, semi-trailing arms
Rear springs	1 transverse torsion bar per wheel	1 transverse torsion bar per wheel
Shock absorbers	Front and rear hydraulic double-acting shock absorbers	Sport shock absorbers
Stabilizers	Stabilizer bars front and rear	Stabilizer bars front and rear
Power-assisted brakes	With ventilated discs on all 4 wheels	With ventilated and perforated discs on all 4 wheels
Rims	6 J x 15 – front; 7 J x 15 – rear pressure-cast light alloy	7 J x 16 – front; 8 J x 16 – rear forged light alloy
Tires	185/70 VR 15 – front 215/60 VR 15 – rear	205/55 VR 16 – front 225/50 VR 16 – rear
Steering	Rack and pinion	Rack and pinion
Capacities		
Engine oil	13.7 U. S. qts. (13 liters)	13.7 U. S. qts. (13 liters)
Gear box and final drive	3.2 U. S. qts. (3 liters)	3.2 U. S. qts. (3 liters)
Fuel tank	21.1 U. S. gal. (80 liters)	21.1 U. S. gal. (80 liters)
Windshield washer reservoir	2.2 U. S. gal. (8.5 liters)	2.2 U. S. gal. (8.5 liters)
Dimensions		
Wheelbase	89.4 in. (2272 mm)	89.4 in. (2272 mm)
Track, front	53.6 in. (1361 mm)	56.4 in. (1432 mm)
Track, rear	53.8 in. (1367 mm)	59.1 in. (1501 mm)
Length	168.9 in. (4291 mm)	168.9 in. (4291 mm)
Width	65.0 in. (1652 mm)	70.0 in. (1775 mm)
Height (unladen)	52.8 in. (1340 mm)	52.3 in. (1328 mm)
Ground clearance (laden)	5.6 in. (143 mm)	5.5 in. (140 mm)
Turning circle diameter (curb to curb)	34.0 ft. (10.35 m)	34.8 ft. (10.60 m)
Weights		
Unladen weight (DIN standard incl. fuel)	2558 lbs. (1160 kg)	2855 lbs. (1295 kg)
Permissible gross weight	3307 lbs. (1500 kg)	3308 lbs. (1500 kg)
Performance		
Maximum speed	139 mph (225 km/h)	155 mph (250 km/h)
Acceleration 0–60 mph (0–100 km/h) (DIN unladen weight + 1/2 payload)	6.9 seconds	5.6 seconds
Technical data subject to change without prior notice.		



Full-power Curve **SAE**



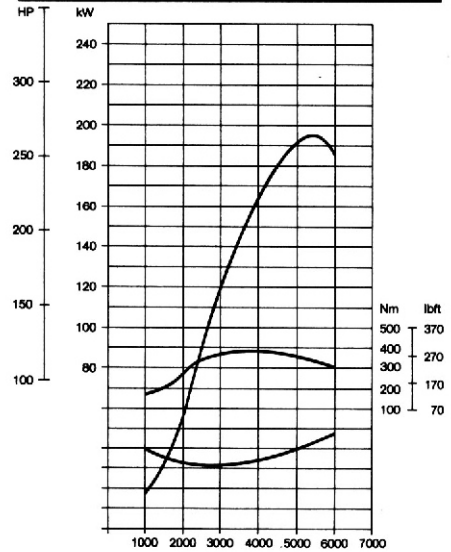
Porsche 911 SC

The Porsche 911 SC develops 172 HP SAE net at 5500 rpm. Its maximum torque is 189 ft-lbs at 4200 rpm with a compression ratio of 8.5 : 1.

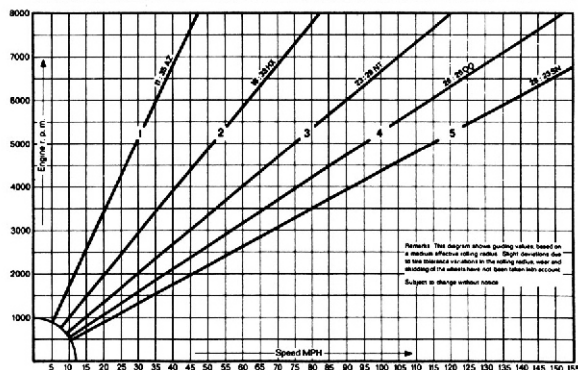
Turbo

The Porsche Turbo develops 261 HP SAE net at 5500 rpm. Its maximum torque is 291 ft-lbs at 4000 rpm with a compression ratio of 7.0 : 1.

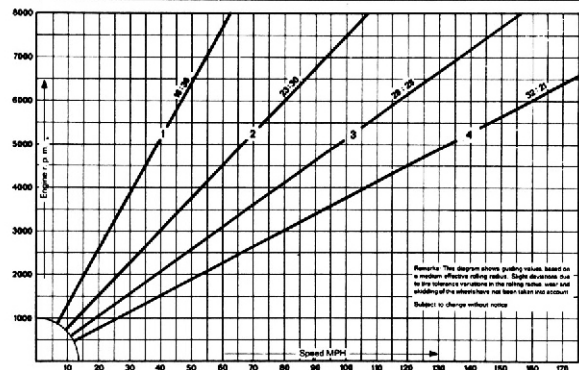
Full-Power Performance **Turbo**



Transmission Diagram **911 SC** 5-speed-transmission



Transmission Diagram **Turbo** 4-speed-transmission



PORSCHE

© 1978 Porsche + Audi Division
Volkswagen of America, Inc.
Printed in Germany. Mairs graph. Betriebe, Stuttgart.
W 73-71-96021

Downloaded from Stuttcars.com